

Datasheet

Crystalline PV Module

CHSM 5409M



85 90 95

ELECTRICAL SPECIFICATIONS

STC rated output (P_{mpp})	85 Wp	90 Wp	95 Wp
PTC rated output	75.2 Wp	79.8 Wp	84.3 Wp
Standard sorted output	$(P_{mpp} + 2.5 \text{ Wp}) > P_{flash} \geq (P_{mpp} - 2.5 \text{ Wp})$		
Measurement Tolerance	+/- 3%	+/- 3%	+/- 3%
Warranted power output STC ($P_{mpp \text{ min}}$)	82.5 Wp	87.5 Wp	92.5 Wp
Rated voltage (V_{mpp}) at STC	17.10 V	17.80 V	18.50 V
Rated current (I_{mpp}) at STC	4.97 A	5.03 A	5.12 A
Open circuit voltage (V_{oc}) at STC	22.00 V	22.30 V	22.50 V
Short circuit current (I_{sc}) at STC	5.36 A	5.43 A	5.47 A
Module Efficiency	12.8%	13.5%	14.3%
Rated output (P_{mpp}) at NOCT	56.5 Wp	59.5 Wp	63.2 Wp
Rated voltage (V_{mpp}) at NOCT	15.26 V	15.96 V	16.55 V
Rated current (I_{mpp}) at NOCT	3.70 A	3.75 A	3.82 A
Open circuit voltage (V_{oc}) at NOCT	19.73 V	20.00 V	20.18 V
Short circuit current (I_{sc}) at NOCT	4.07 A	4.12 A	4.15 A

Temperature coefficient α (P_{mpp})	- 0.480%/K
Temperature coefficient β (I_{sc})	+ 0.062%/K
Temperature coefficient δ (I_{mpp})	- 0.022%/K
Temperature coefficient ϵ (V_{mpp})	- 0.462 %/K
Temperature coefficient \times (V_{oc})	- 0.355%/K
Normal Operating Cell Temperature (NOCT)	48 °C

Maximum system voltage SCII	1000 V _{DC}
Maximum system voltage NEC	600 V _{DC}
Number of Diodes	1
Max. series fuse rating	10 A



ASTRONERGY

A CHINT COMPANY

QUALIFICATION AND WARRANTIES

Product standard	UL 1703
Extended product warranty	5 years
Output warranty of 90% performance P_{mpp} (STC)	10 years
Output warranty of 80% performance P_{mpp} (STC)	25 years

CELL TECHNOLOGY

Cell type	monocrystalline
Number of cells / cell arrangement	36 / 4 x 9
Cells Dimension	5"

MECHANICAL SPECIFICATIONS

Outer dimensions (L x W x H)	1200 x 554 x 35 mm 47.24 x 21.81 x 1.38 inch
Frame technology	Aluminum, silver anodized
Module compound	Glass / EVA / Backsheet (white)
Weight (module only)	10 kg / 22.0 lbs
Front glass thickness	3.2 mm / 0.13 inch
Junction Box IP rating	IP 65
Cable length / diameter	1000 mm / 39.37 inch / 12 AWG
Maximum load capacity	2400 Pa
Fire Class	C
Connector type	Multi Contact Type 4

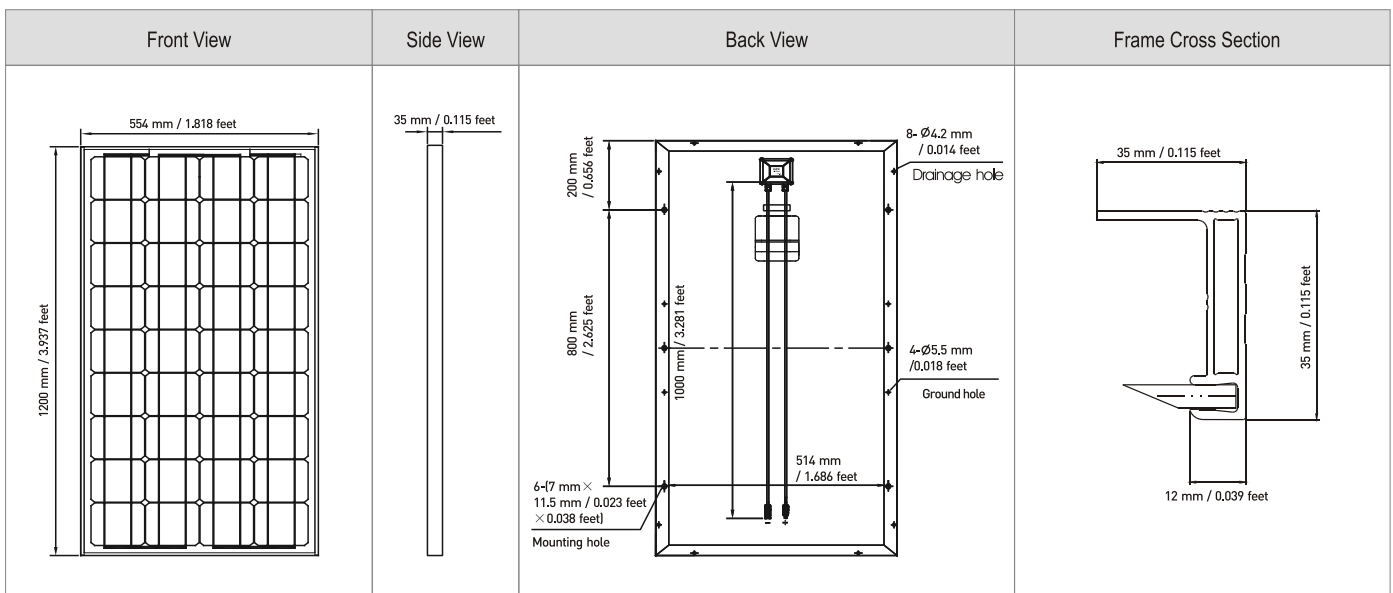
MISCELLANEOUS

Packing unit	22 modules
Weight of packing unit	260 kg / 572 lbs

ARTICLE NUMBER (per panel)

Power Class	Article No.(UL)
85 Wp	100010
90 Wp	100011
95 Wp	100012

MODULE DIMENSION DETAILS



© Chint Solar (Zhejiang) Co., Ltd. All rights reserved.
Specifications and designs included in this datasheet are subject to change without notice.